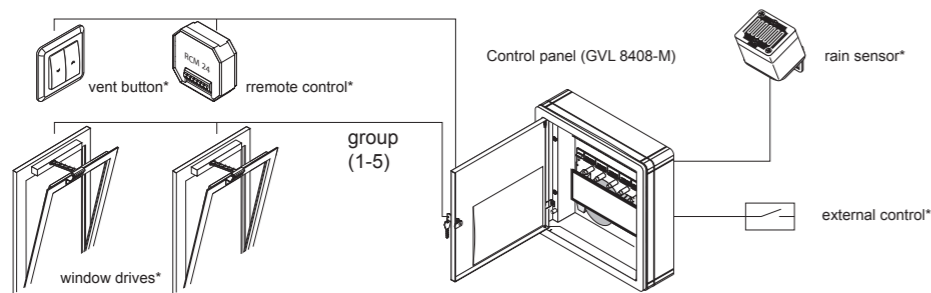


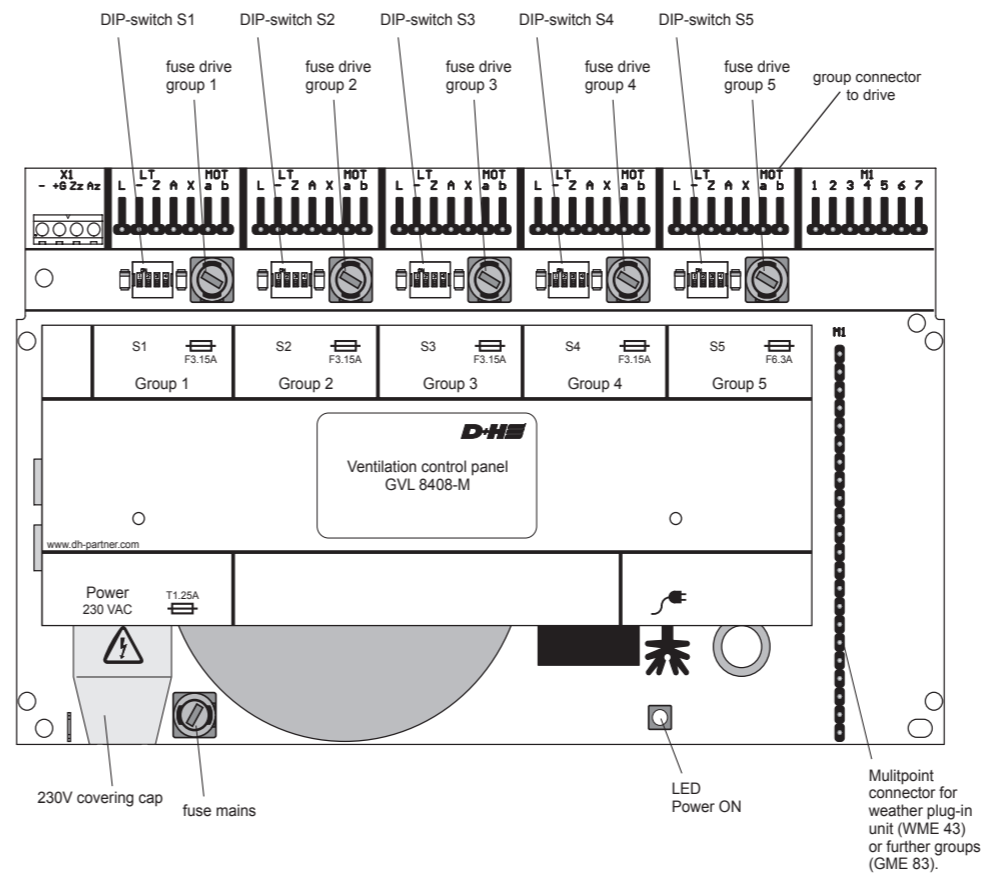
Assembly scheme



The above diagram depicts only a single ventilation group, the panel has five such groups. Groups 1-4 have a limit of 4 amps and group 5 can support up to 8 amps. Note the total operating capacity at any one time for the panel is 8 amps.

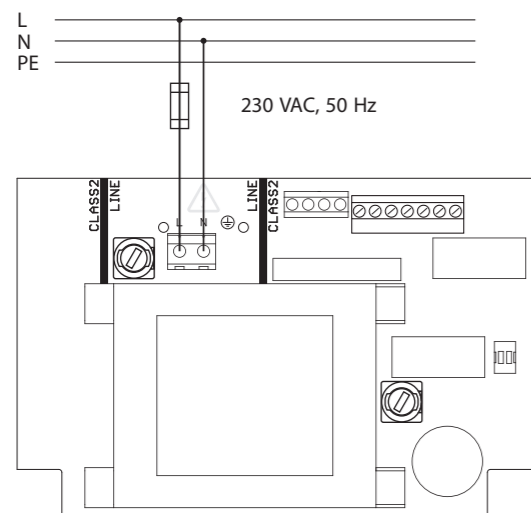
* optional extension (separate components, retrofitable!)
This instruction includes descriptions and connection plans of components which are optional accessories and can be ordered separately .

View motherboard

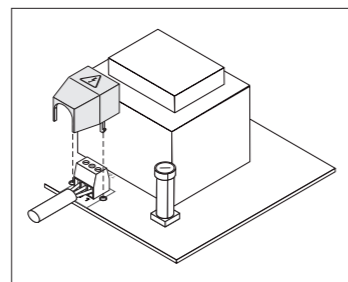


Technical Data	
Type	GVL 8408-M
Nominal voltage	230 VAC, 50 Hz
Rated power	240 VA
Class of rating	short-time duty, 20%
Protection class	II
Ingress protection	IP 54
Temperature range	-5...+60°C
Output voltage	24 VDC, stabilized
Safe output: Rated current of drives	8 A
Housing Colour Dimensions	plastic White RAL 9010 310 x 310 x 100 mm

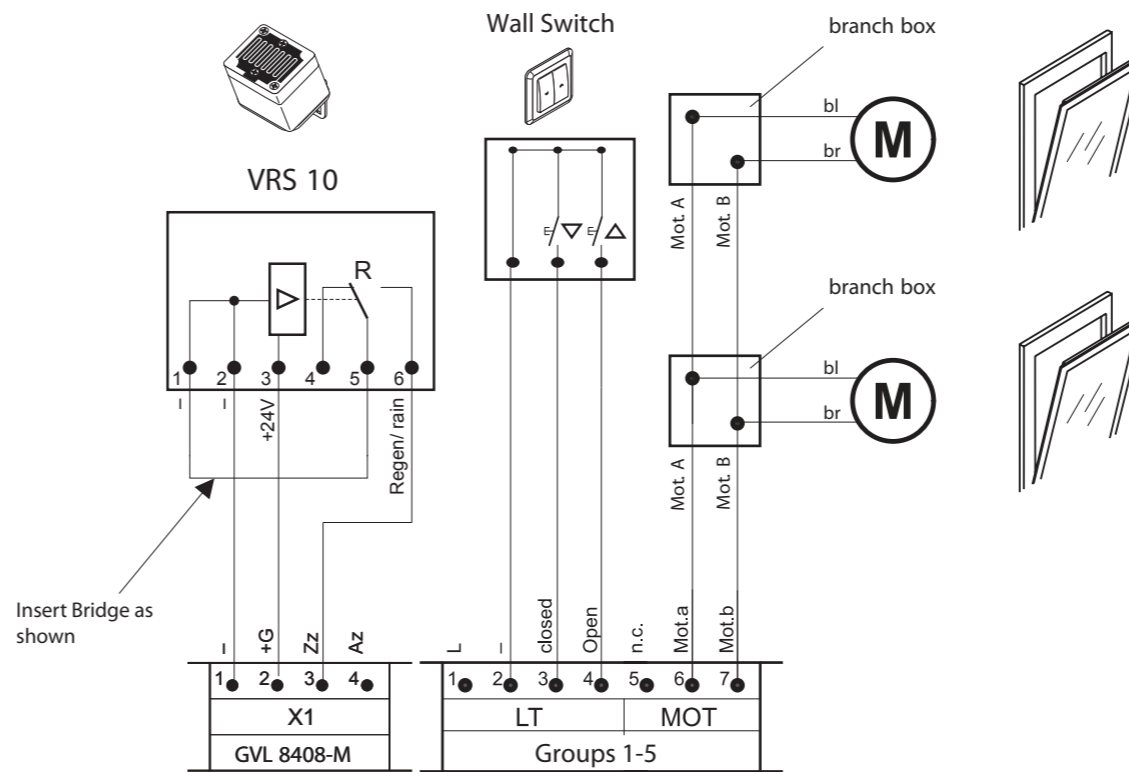
230 VAC supply



Covering
Place enclosed protection cap over supply terminal after mains cable has been connected.



Connection – Wall Switch, Rainsensor and Window drives



Groups 1-4 are limited to max 4 amps
Group 5 is limited to 8 amps
Total load across all groups cannot exceed 8 amps



EBSA Mechanical Pty Ltd
U5/18 Hinkler Court, Brendale, QLD, 4500 Australia
Ph: +61 (0)7 32055957 Fax: +61 (0)732055958

www.windowautomation.com.au

Project: Typical GVL8408-M

Client:

Title: GVL8408-M with VRS10

Date: 1st May 2013

Drawing No. GVL8408_C Rev. 1.0